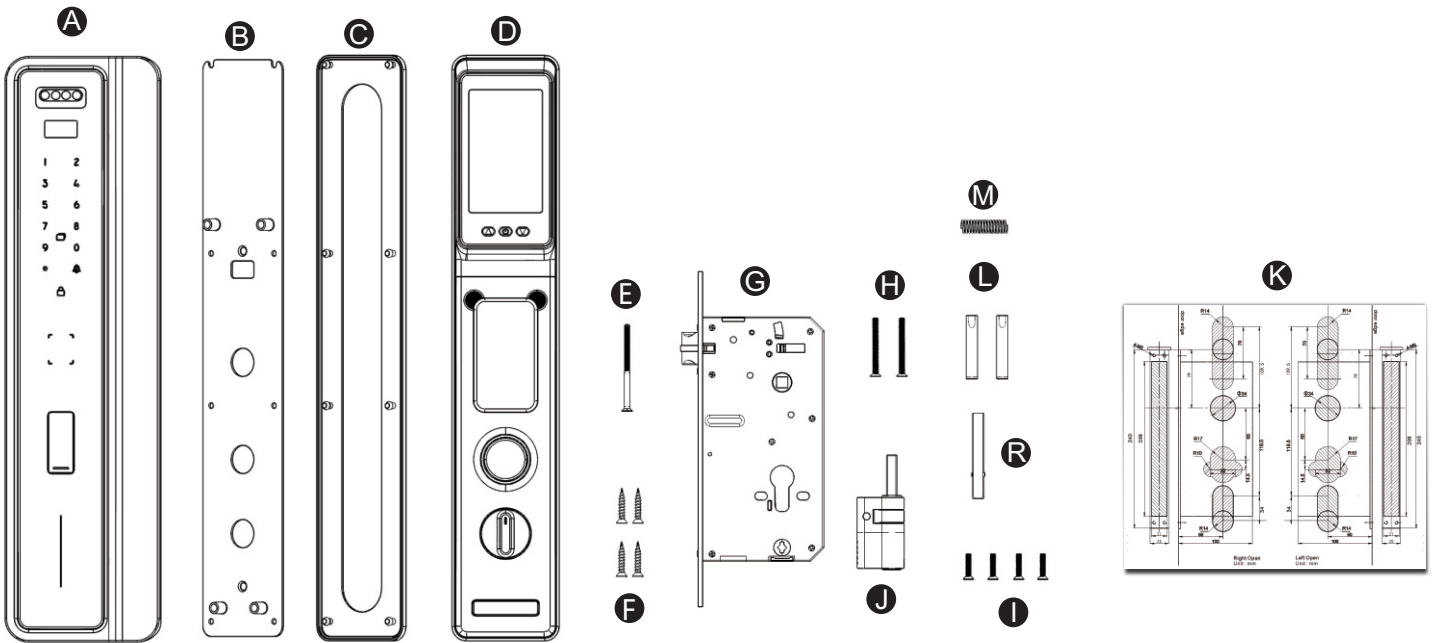
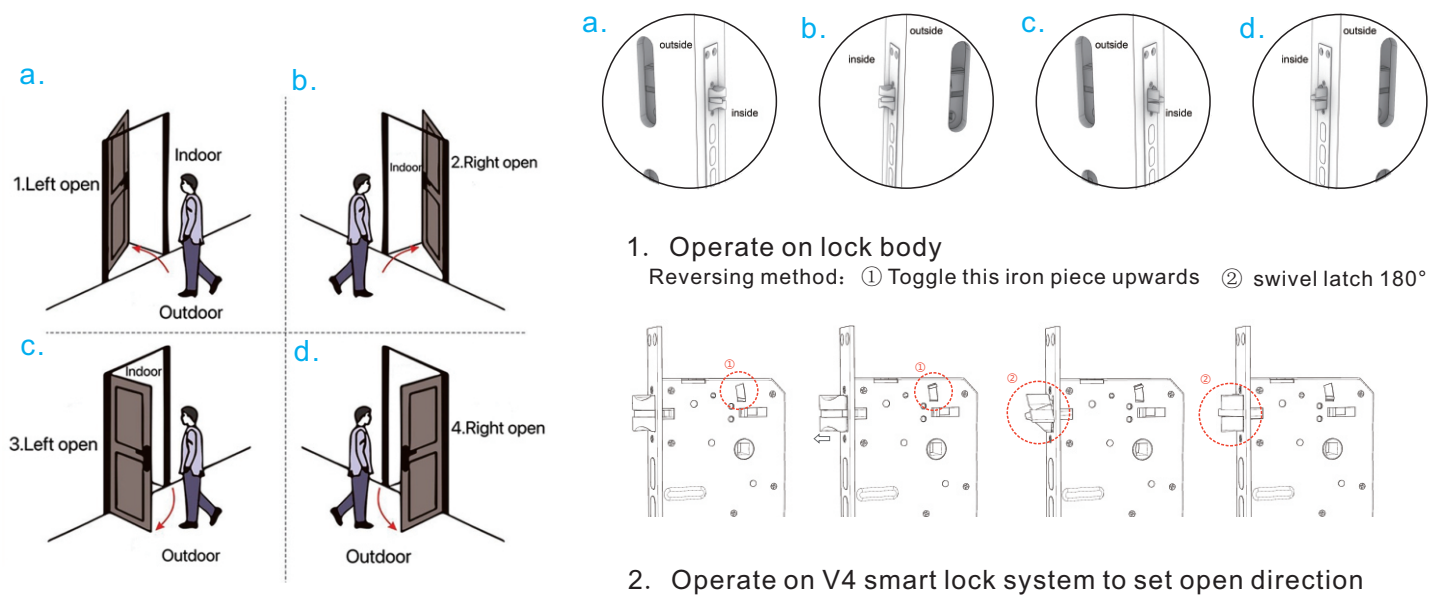


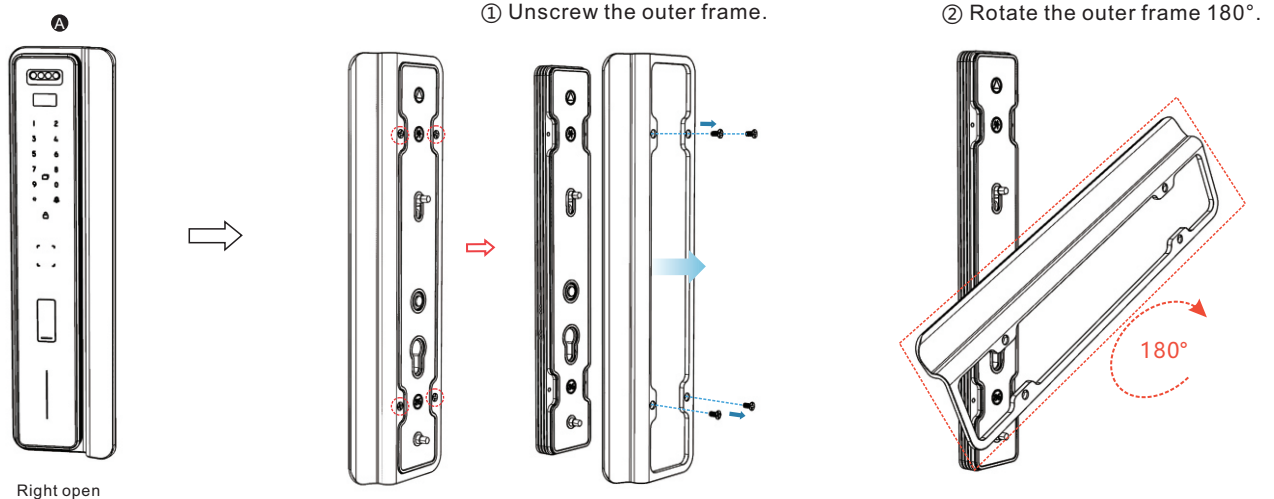
1 Accessories



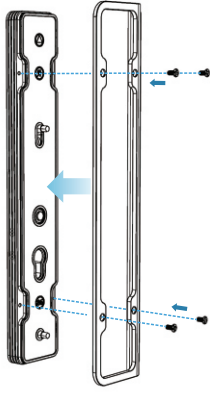
2 How to change open direction and operate on lock body



Change the handle from right side to left side



③ Fix the outer frame with screws.



Done.

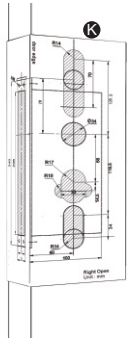


the same way to change from left side to right side.

3 How to make door hole and install lock body

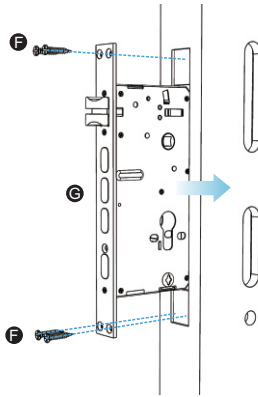
How to drill door hole

- Put "K" on the door to make sure hole size and position.
- Drill door hole.

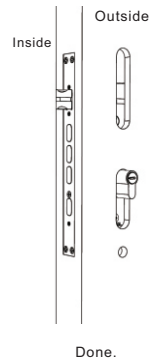
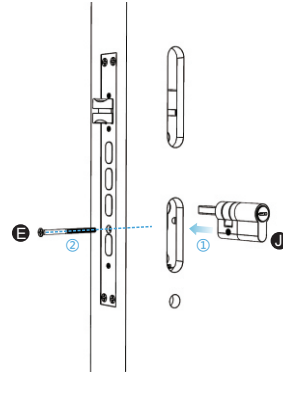


After drilling door hole.

Install lock body

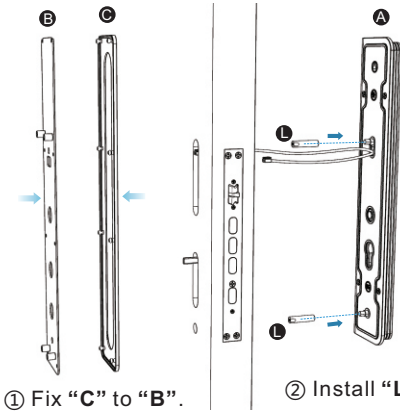


Install cylinder

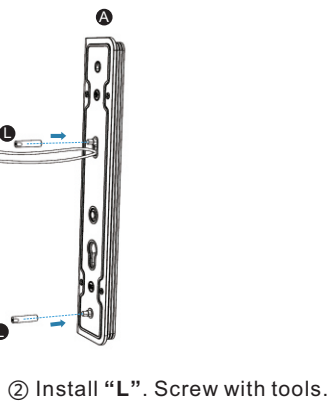


4 Install smart lock

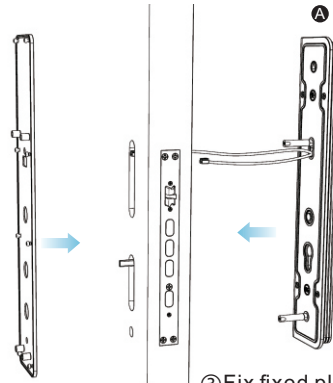
Install front panel and fixed plate



① Fix "C" to "B".

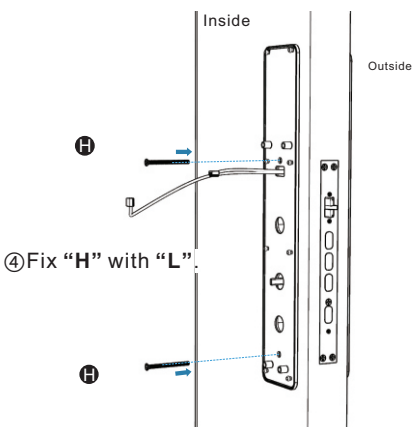


② Install "L". Screw with tools.



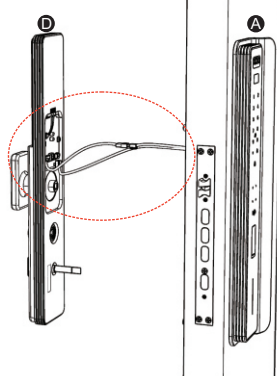
③ Fix fixed plate with "A" at right position.

Pull wires through door hole.

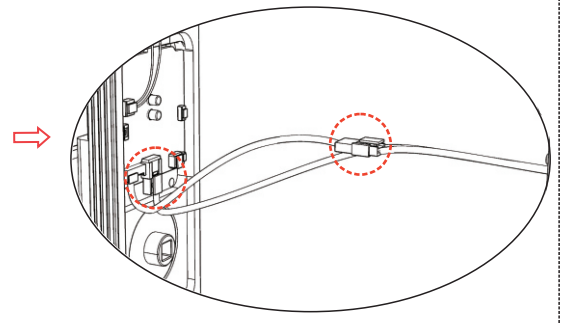


④ Fix "H" with "L".

Connect wire terminals

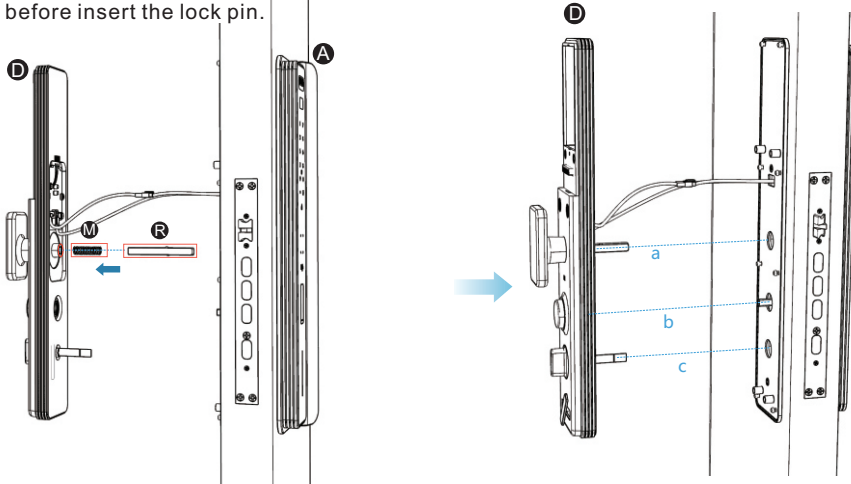


Connect wires with the same type terminals.

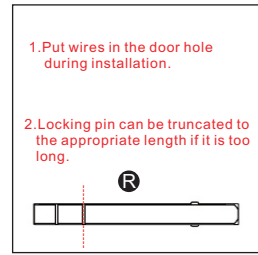


Install back panel

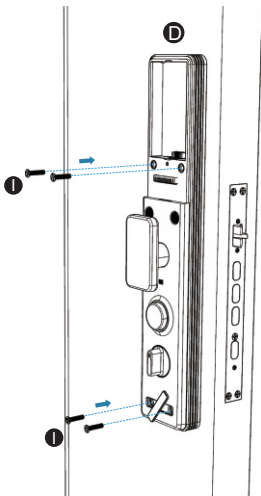
① Install the spring to the back panel before insert the lock pin.



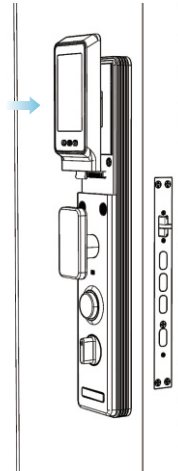
② After ensuring a, b, c are all in right positions, fix "D" on the fixed plate.



③ Fix "I" to fix the back panel.



④ Put batteries in and cover.



Done.

